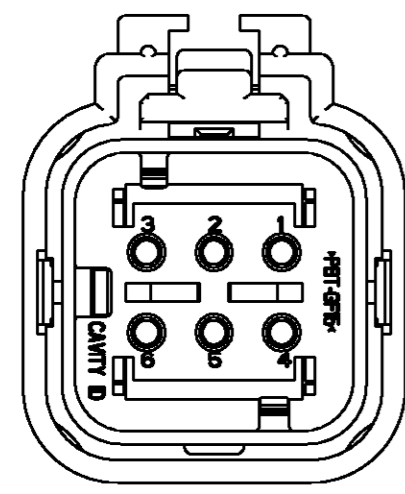
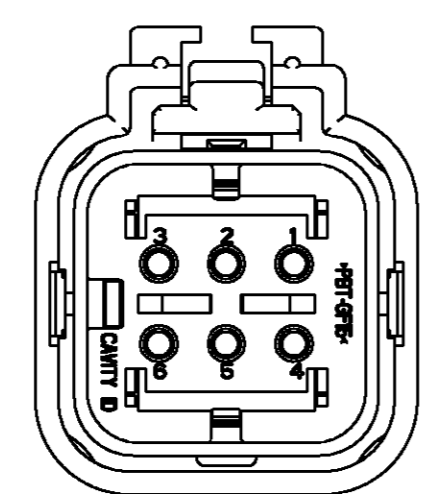


THIS DRAWING IS UNPUBLISHED. RELEASED FOR PUBLICATION 20
 © COPYRIGHT 20 BY TYCO ELECTRONICS CORPORATION. ALL RIGHTS RESERVED.

LOC	DIST	REVISIONS					
		P	LTR	DESCRIPTION	DATE	DWN	APVD
GE	00		E	REV PER ECR-06-003051	07FEB2006	WH	RS



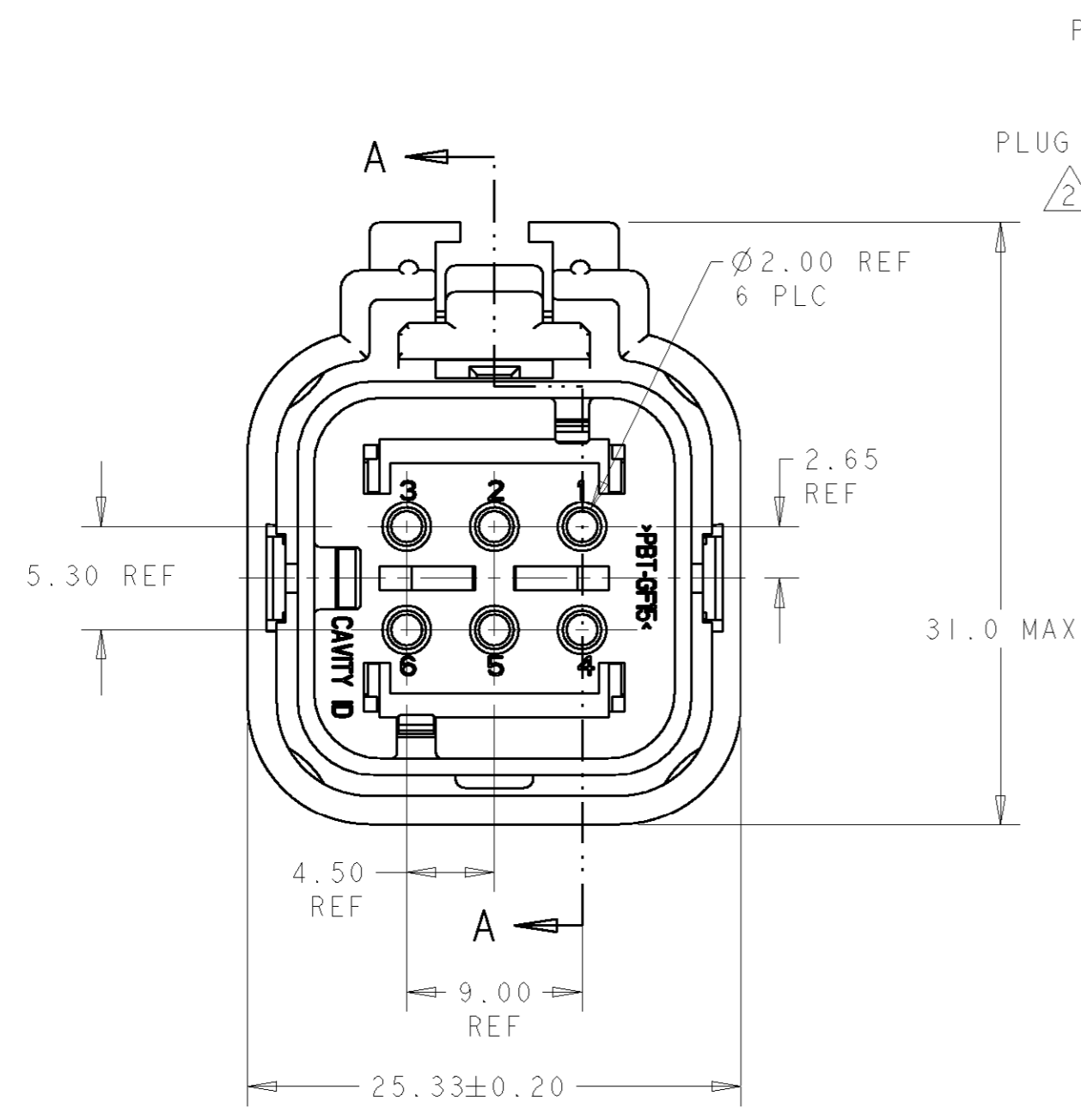
776433-2
SCALE: 2:1



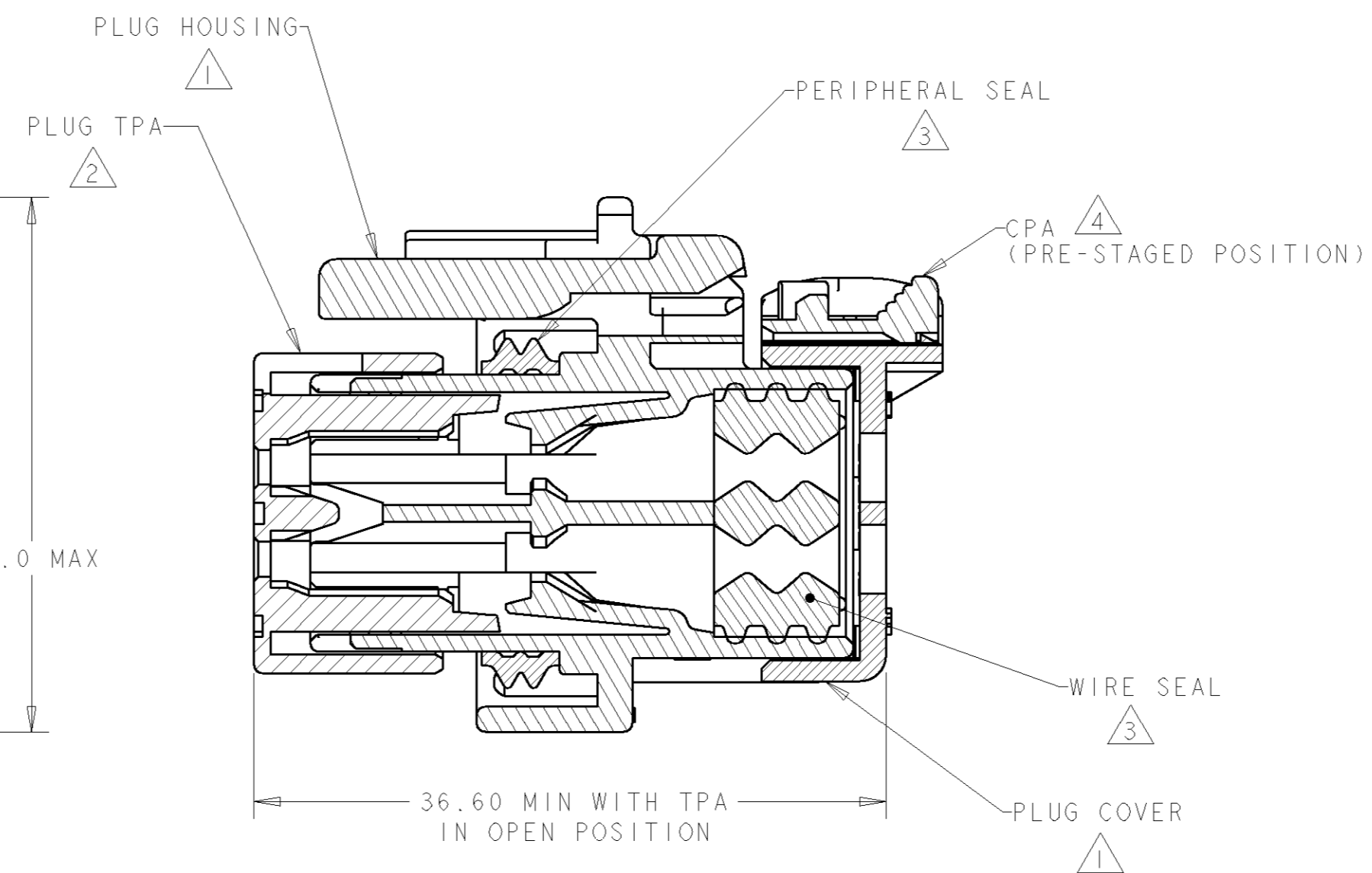
776433-3
SCALE: 2:1

- ① MATERIAL: 15% GLASS FILLED THERMOPLASTIC
COLOR: BLACK
- ② MATERIAL: 15% GLASS FILLED THERMOPLASTIC
COLOR: (SEE TABLE)
- ③ MATERIAL: SILICONE
COLOR: RED
- ④ MATERIAL: 15% GLASS FILLED THERMOPLASTIC
COLOR: RED

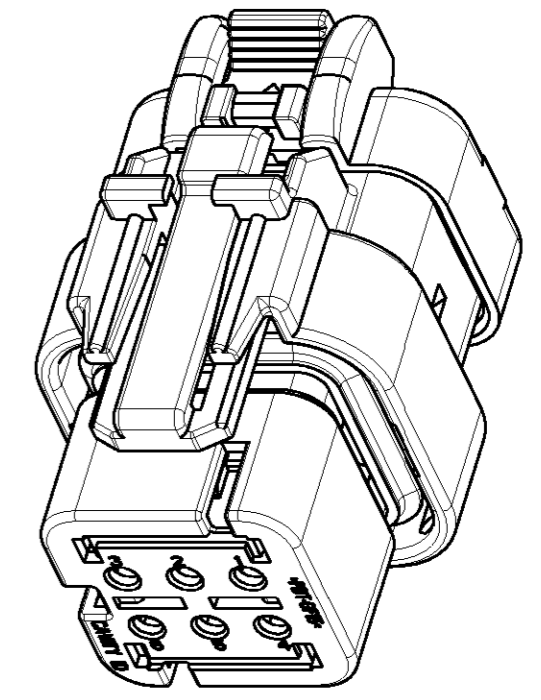
5. RECOMMENDED WIRE DIAMETER RANGE IS 2.18 TO 3.67mm



776433-1 SHOWN



SECTION A-A



SCALE 2:1

YELLOW	776433-3
GRAY	776433-2
RED	776433-1
TPA COLOR	PART NUMBER

THIS DRAWING IS A CONTROLLED DOCUMENT FOR TYCO ELECTRONICS CORPORATION IT IS SUBJECT TO CHANGE AND THE CONTROLLING ENGINEERING ORGANIZATION SHOULD BE CONTACTED FOR THE LATEST REVISION.		DWN AJ GRAFF 13JUN00 CHK R. GREINER 03JAN02 APVD M. TRULLI 03JAN02	tyco Electronics AMP Incorporated Harrisburg, PA 17105-3608
DIMENSIONS: mm 	TOLERANCES UNLESS OTHERWISE SPECIFIED: 0 PLC ± 1 PLC ± 2 PLC ± 3 PLC ± 4 PLC ± ANGLES ± FINISH	PRODUCT SPEC APPLICATION SPEC 114-13065 WEIGHT CUSTOMER DRAWING	NAME PLUG ASSEMBLY, 6 POSITION, DUAL ROW, AMPSEAL 16 SIZE A2 CAGE CODE 00779 DRAWING NO. 776433 RESTRICTED TO SCALE 2:1 SHEET 1 OF 1 REV E

THIS AMP PROPRIETARY INFORMATION IS CONFIDENTIAL AND IS DISCLOSED TO YOU ON CONDITION THAT NO FURTHER DISCLOSURE IS MADE BY YOU TO ANYONE OTHER THAN AMP PERSONNEL WITHOUT WRITTEN AUTHORIZATION FROM AMP INCORPORATED, HARRISBURG, PA.